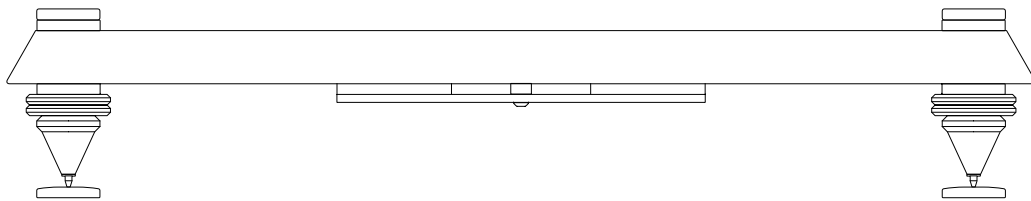




MODULUM



THE SINGLE PLATFORM

Assembly Instructions



Congratulations for purchasing this Modulum instrument.
It is designed to maximize the performance of all audio components.
You will now be able to enjoy your system to it's full potential.

Happy listening,

The Modulum team.

IMPORTANT

METAL DIFFERENCES

The parts that you have to assemble are made of aluminum, but the screws are made of steel. Given that aluminum is a softer metal than steel, you must be very careful and sometimes patient when assembling all the parts.

We want to be sure that the black rubber washers are securely tightened around the screws. This means that small particles of rubber could become detached and stuck in the threads of the screws, creating a certain resistance as the screws are tightened. This shouldn't pose a huge problem. Just proceed with a light touch and make sure that the screw is well engaged with the threads of the aluminum part.

SCREW TIGHTENING

Never force a screw. If you're encountering a little difficulty, you can cover the end of the screw or the inside of the nut with a bit of candle wax or all-purpose oil. You should know that after hundreds of assemblies, we have yet to fail, although a certain amount of patience and a delicate touch have sometimes been necessary.

You should also know that it is not advisable to tighten everything to the maximum during assembly. That's because between each of the assembled parts there's a rubber washer, and once it's slightly compressed, it offers sufficient resistance for a solid assembly. It's also a wise idea to occasionally check to see if the entire assembly remains securely and sufficiently tightened.

HARMONIC ABSORBERS

HARMONIC ABSORBERS MAY HAVE TO BE ADJUSTED WHEN DELIVERED

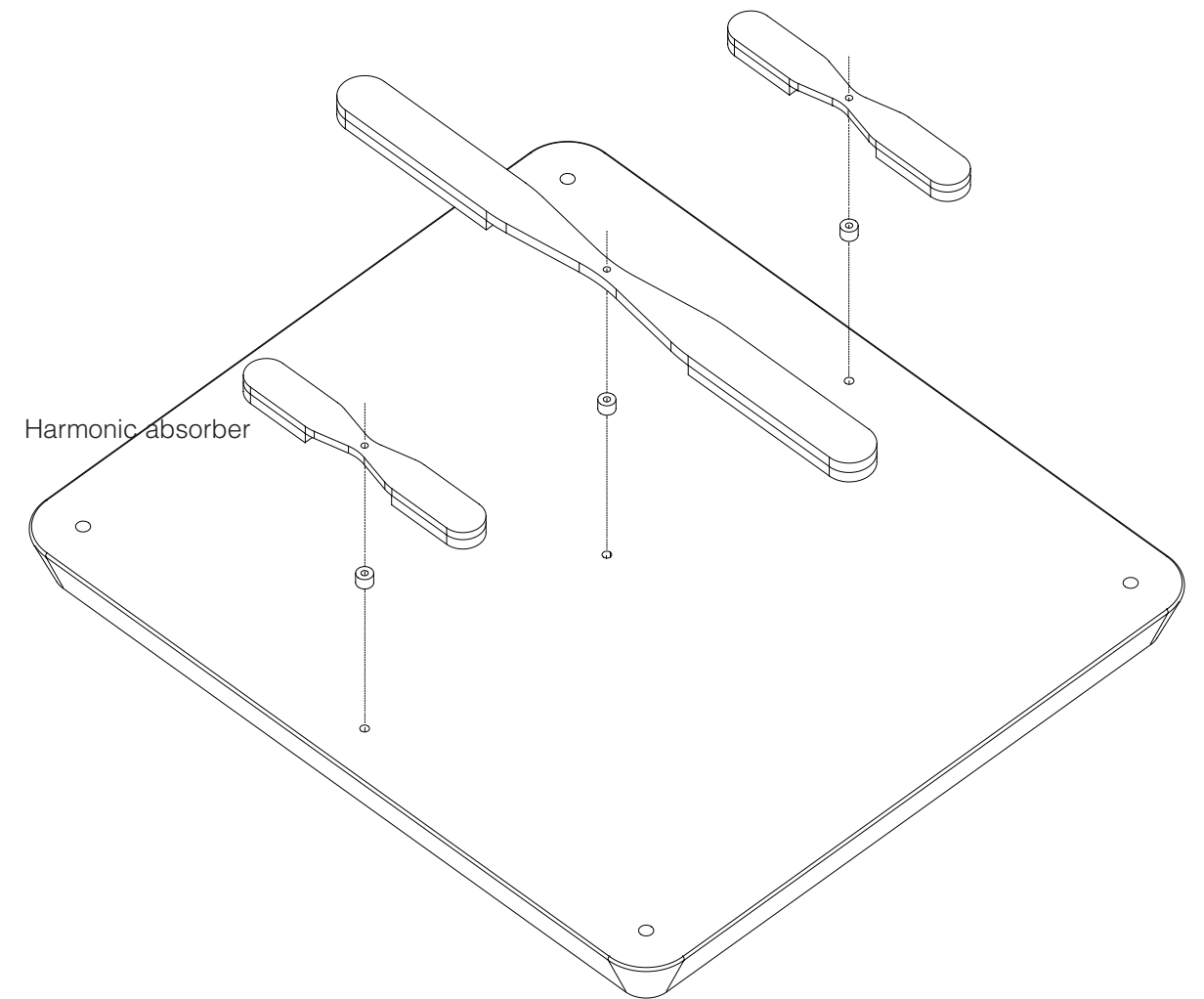
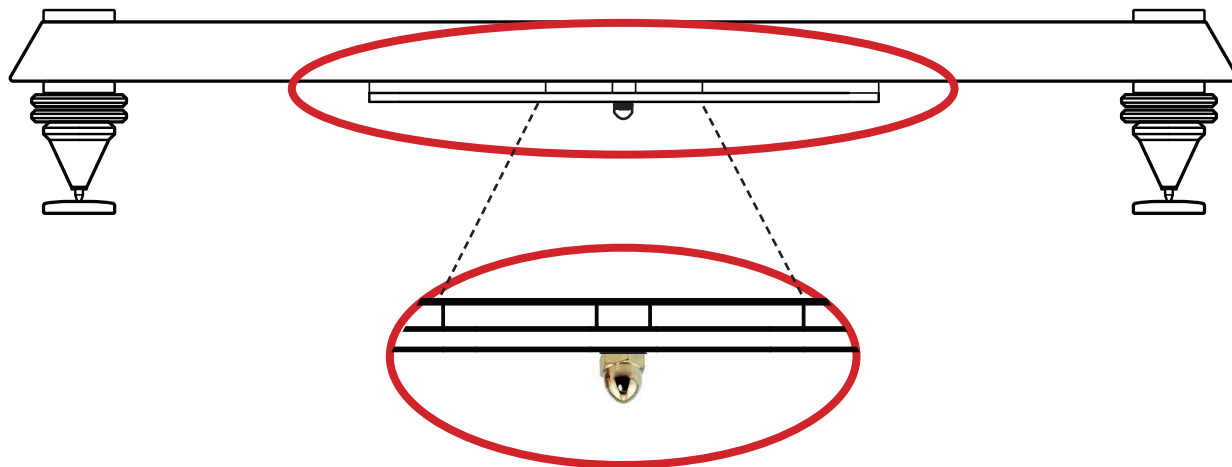
They are fixed by a cup point set screw and a brass acorn nut.



The absorbers must stick to the shelf offering a high level of resistance if you try to make them pivot with two fingers at their extremities.

To adjust, use the wrench provided and tighten or loosen slightly the harmonic absorbers.

Please note that there is no optimum tightening torque level. As long as you respect the high level pivoting resistance adjustment, they will yield optimal performance.



ASSEMBLY

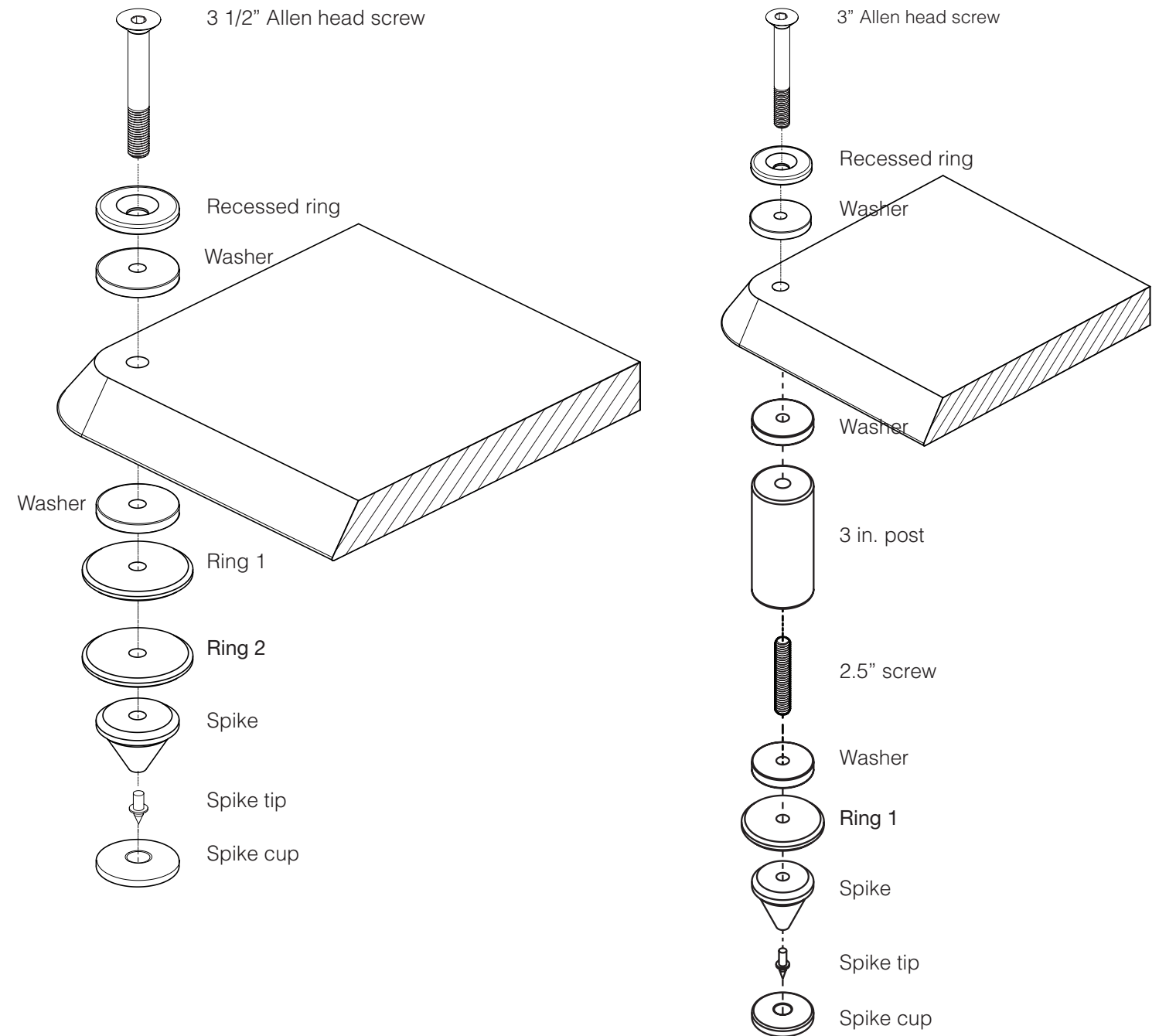
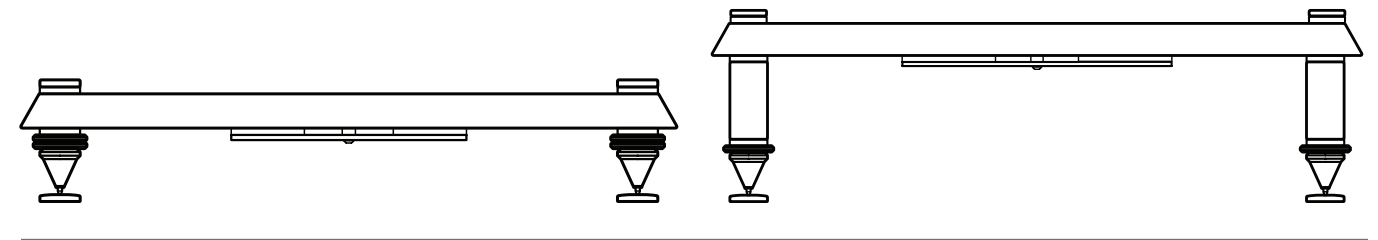
a) Assemble the spikes and the 3" columns by screwing on a ring and inserting a washer between the ring and the column. Screw a 2 1/2" compression screw to the end of each of the 3" columns and slide a washer onto the end of each screw.

b) Take a shelf and stand it upright on its longest side. Insert the first two spike/column assemblies in the holes closest to the floor. The shelf should be able to stand upright supported by the first two spikes. Put in the two other spike/column assemblies and put the shelf on the floor, resting on its four spikes.

c) Assemble four Allen head end screws by putting together an end ring and a washer. Put each of these end screws in one of the four holes in the shelf. (Hint) It is advisable to screw in the first two screws on a diagonal angle. Insert the first screw through the shelf and put a washer on the end of it, making sure to tighten it well under the surface of the shelf. Screw in the screw only about a quarter of the way in order to leave some play to insert the other three screws. Finish the operation by tightening the four screws all the way -- and you're done!

Spike only

Spike plus 3 in. column



They rely on Modulum platforms and modules



TUNED AUDIO
PLATFORMS FOR
ELECTRONICS
AND LOUDSPEAKERS



MODULUM

671, Logan Street
Saint-Lambert (Quebec) J4P 1K5
CANADA
+1. 514.915.5060
jfmichaud@modulum.ca

modulumaudio.com